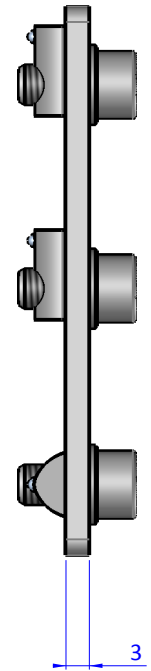
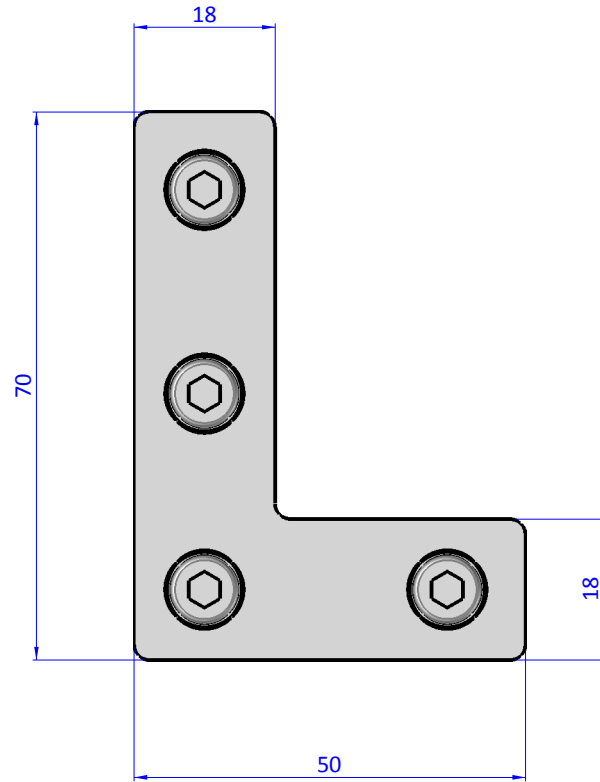
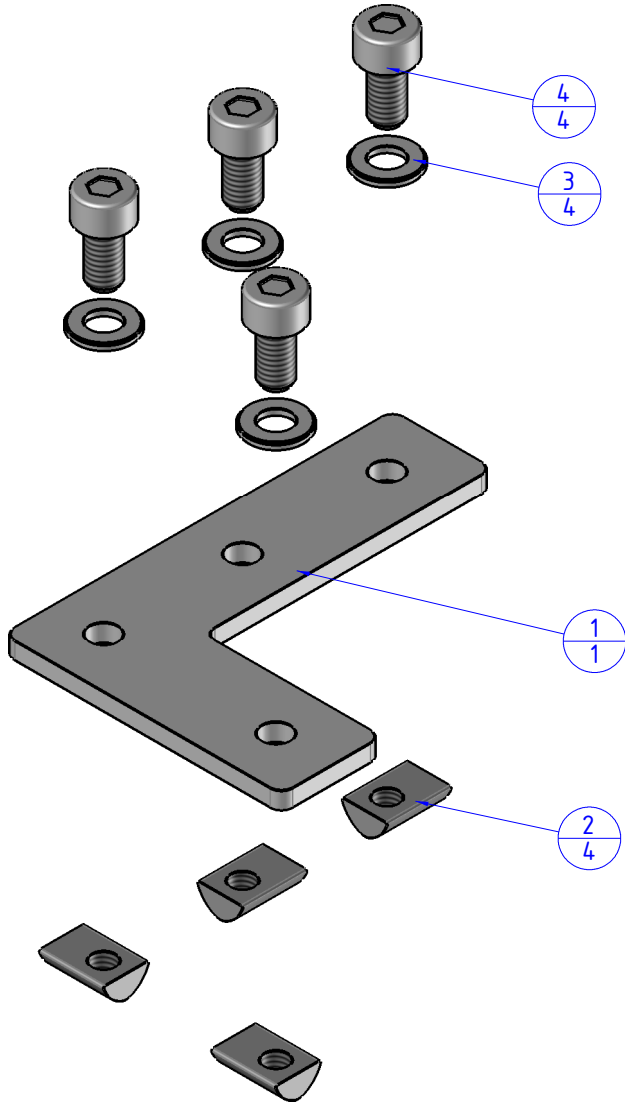


THE PROPERTY OF THE DRAWING IS ESTABLISHED BY LAW. IT IS FORBIDDEN TO PRODUCE OR SHOW IT TO THIRD PARTY, WITHOUT A WRITTEN AGREEMENT.

Object Number	Name	QTY
1	03.10.003	1
2	02.05.003	4
3	R.5	4
4	V.TCE5x10	4



Format A3

UNI 936-76

		DESIGNED FROM		REVIEW
		FPS Automation		A
GENERAL TOLERANCE		DATE	WEIGHT	
UNI - ISO 2768		28/05/2018	0,064kg	
CLASSE f	DESCRIPTION	CODE		
	CA.03.10.003	CA.03.10.003		